



Ultrasonic Pen Marking Machine

VM2030

Ultrasonic Pen Marking Machine

# VM2030



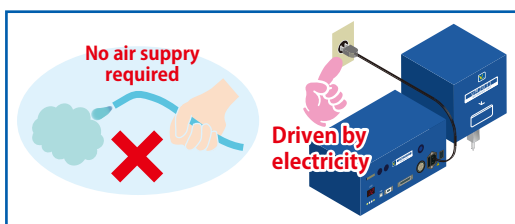
VM2031  
Mechanical Unit

VM2032  
Control Unit



\*Marking Stand (a mount for the marking machine) is sold separately

VM2030 Ultrasonic Pen Marking Machine delivers semi-permanent marking of characters and 2D codes on a wide range of metals, including steel, stainless-steel and aluminum, as well as plastics and other nonmetallic metals. VM2030 is useful for production management, quality assurance, product-liability countermeasures, ISO measures, distribution management and more.



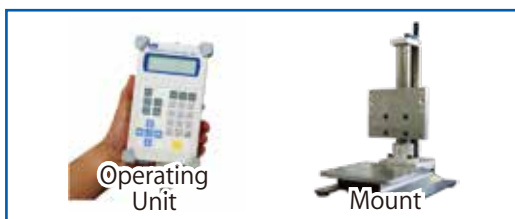
## No air supply required & Easy to install

The stylus of this machine is vibrated by electromagnetic force. No pneumatic power is required and installation of the machine is very easy.



## Low noise

Because the noise of ultrasonic pen marking is lower than that of air pen, this machine can be used in strict noise standard locations.



Operating Unit

Mount

## Various options and extensions

We prepare not only main bodies of making machine, but many optional units such as handy operating unit (VM1891), styli of various angle, mounts, etc.



# Ultrasonic Pen Marking Machine VM2030

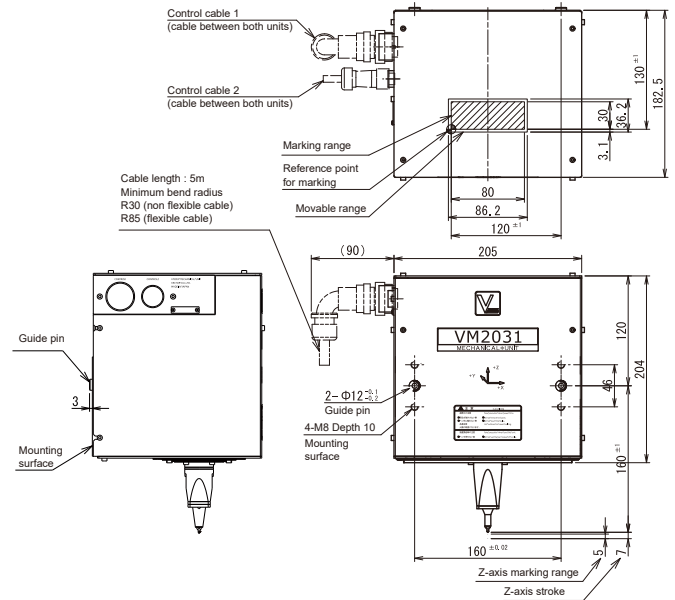
## Specifications

Pen type	Ultrasonic Pen
Marking range (X×Y)	80 × 30 mm
Pen stroke	Approx.7mm (Z-axis Marking Range: 5mm)
Marking speed	100~400mm/min (in increments 100mm/min)
Available characters	Alphabet Uppercase 26 types Lowercase 26 types Symbol 18 types Number 10 types
Character size (=height)	1~30 mm (in increments 0.1mm)
Font	3 types (Vector's original font)
Job registered number (J No.)	255 jobs (J1~J255)
Sequence registered number (S No.)	255 sequences (S1~S255)
String length	1~36 characters
Marking function	
- Increment	1~10 digits
- Calendar	Year. Month. Day. Hour. Minute. Second (E.g. 11. 02. 28. 12. 10. 16)
- Circular arc marking	Available
- 2D code	DataMatrix, QR Code, Micro QR Code
- Special character	Supported (by using PC software)
Interface	I/O (Parallel): 50pin, NPN/PNP connect RS- 232C (Serial): 9pin USB 2.0(for operation by PC): USB B
Power supply	Single-phase AC100V~230V ± 10% 50 / 60 Hz, approx. 220VA
Air supply	Not used
Environmental Condition	Operating temperature: 0~40 °C Storage temperature: -5 ~ +50 °C Relative humidity: 90%RH or less (no condensation)
Dimensions (W×H×D)	Mechanical Unit: approx.205×204×182.5 mm *1 Control Unit: approx. 297×120×247 mm *2
Weight	Mechanical Unit: approx. 5.2Kg Control Unit: approx. 3.7kg
Mounting orientation	Mechanical Unit: Gravity direction~horizontal direction Control Unit: Vertical/Horizontal layout
Structure	Mechanical Unit - Control Unit separate type
Option	VM7834 Marking Stand (Mount) VM7891 Operating Unit
Accessories	- Application Software (for Windows XP/7/8.1/10, CD-ROM) *3 - Manual

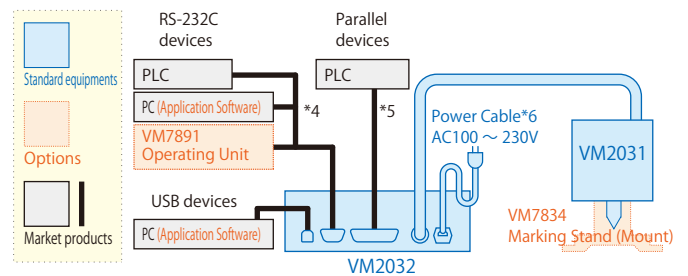
- \*1 Pen units and connectors are not included.  
\*2 Connectors are not included.  
\*3 Windows XP, Windows 7, Windows 8, Windows 8.1 and Windows 10 are either registered trademarks of Microsoft Corporation in United States and other countries.

## External Dimensions (Unit: mm)

### VM2031 Mechanical Unit



## Block Diagram



- \*4 Spec. of serial (RS-232C) cable is as follows.  
Vector's VM7872 Cable (5m) meets the specifications.
- Marking Machine (D-sub9S) --- (Reverse cable) --- External devices (D-sub9S)
- \*5 Spec. of parallel (I/O) cable is as follows.  
Vector's VM8679 Cable (5m) meets the specifications.
- Marking Machine (D-sub 50P) --- (50-conductor) --- External devices (D-sub 50P)
- \*6 Attached power cable is available in Japan only.  
To use the marking machine out of Japan, please use the compatible cable.

■ Specifications and design are subject to modify without notice.  
■ This product (incl. technologies) is a target of catch-all controls. Export of this product out of Japan may require permission of minister of economy, trade and industry pursuant to foreign exchange law.



HEAD OFFICE  
2-12-16, Ekiminami, Kosai, Shizuoka, 431-0427,  
Japan  
TEL : +81-53-573-3838 FAX : +81-53-577-0118